

Simple Drill Press Table with X Axis and Y Axis Movement

Plans for my Drill Press Table with x axis and y axis movement. Easy dust collection, replaceable cookies, simple but versatile fence. Very simple concept but gives you a lot of flexibility to tackle any projects or add any jigs to the table. Plenty of clamping options makes it a perfect solution for any drill press.

You can watch the whole build on my YouTube channel.

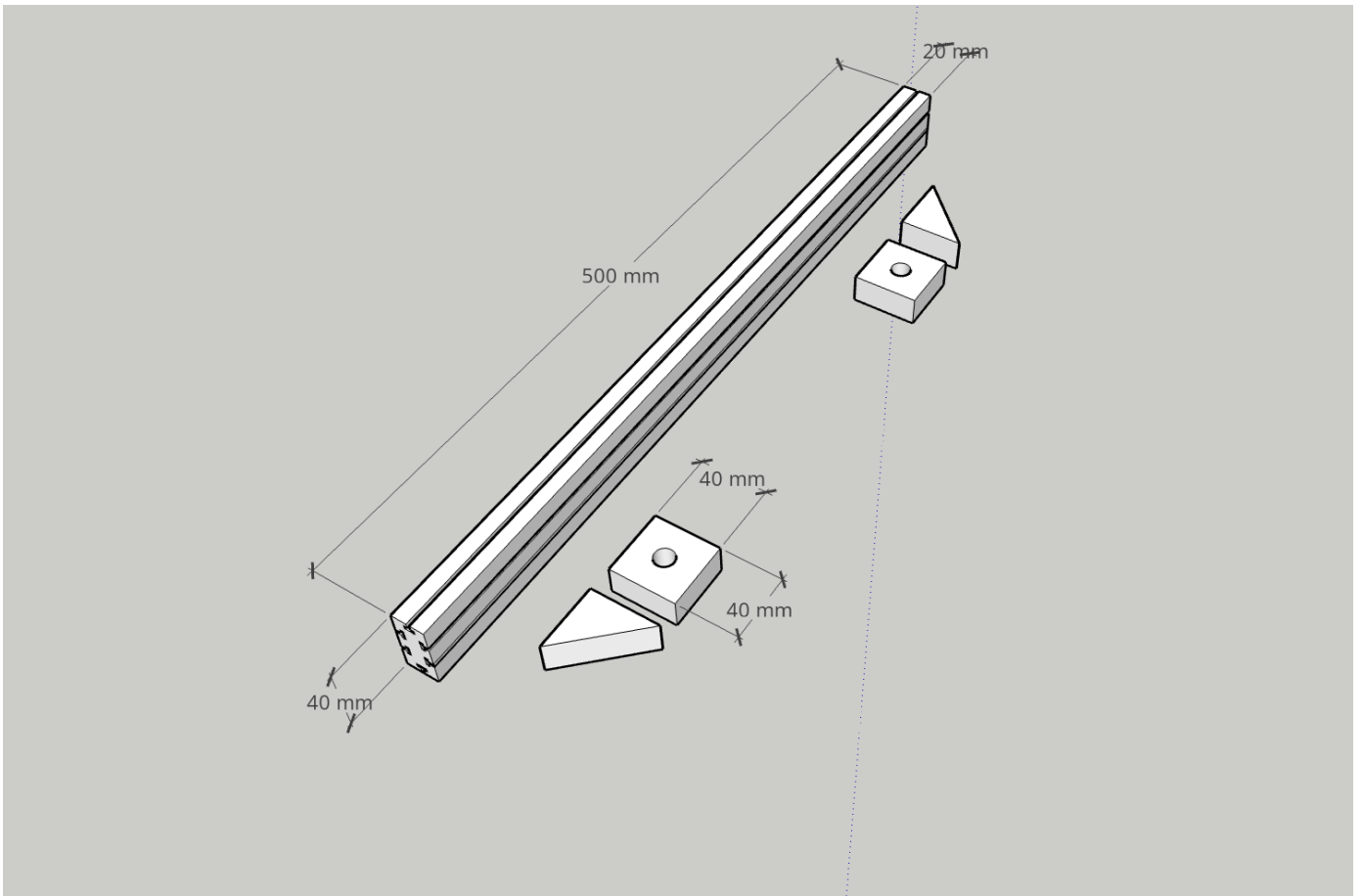
www.youtube.com/casualdiy

Cut list:

- One 18mm melamine board 50cm x 39cm
- One 18mm melamine board 50cm x 35.6cm
- Two 18mm melamine squares 4cm x 4cm
- Two T-tracks 35.6cm long
- Two T-tracks 20cm long
- One T-track 50cm long
- One aluminium profile 50cm x 2cm x 2cm
- One aluminium profile 50cm x 4cm x 2cm
- Two corner aluminium brackets

Shopping links for the aluminium profiles and T-tracks can be found in the description of my YouTube video with the build of this project.

3. Fence



I hope that these plans will be helpful, if you will have any questions about this project then you can reach me via my email: casualdiyuk@gmail.com